

# 4K 30Hz DisplayPort USB KVM Extender via CATx Cable

XTENDEX®

## Extend Ultra-HD 4Kx2K 30Hz 4:4:4 DisplayPort display, audio, 4 USB devices, and RS232 up to 328 feet away from the source using HDBaseT technology

- Transmits an uncompressed high speed DisplayPort signal over one CAT6/6a/7 cable.
- Supports Ultra-HD 4Kx2K resolutions to 3840x2160 @30Hz YUV 4:4:4, HDTV resolutions to 1080p @60Hz, and up to 1920x1200 (WUXGA).
  - Extend 4Kx2K up to 328 feet (100 meters) over a CAT6/6a/7 cable.
  - Extend 1080p and 1920x1200 up to 492 feet (150 meters) over CAT6/6a/7 cable.
- DisplayPort features supported:
  - DisplayPort 1.2a
  - 48-bit Color
  - RGB, YCbCr 4:4:4
  - LPCM, Dolby TrueHD, and DTS-HD Master Audio
  - 3D
  - Does NOT support MST.
- HDCP compliant.
- Four USB 2.0 ports support fully transparent USB connections.
  - Extend USB devices such as a keyboard, mouse, game controller, USB flash drive, touch screen monitor, whiteboard, etc.
  - Compliant with USB 2.0 (low/full/high speed) standards.
- Supports full-duplex RS232 at 115200 baud.
- Integrated mounting brackets for easy surface/wall mounting.

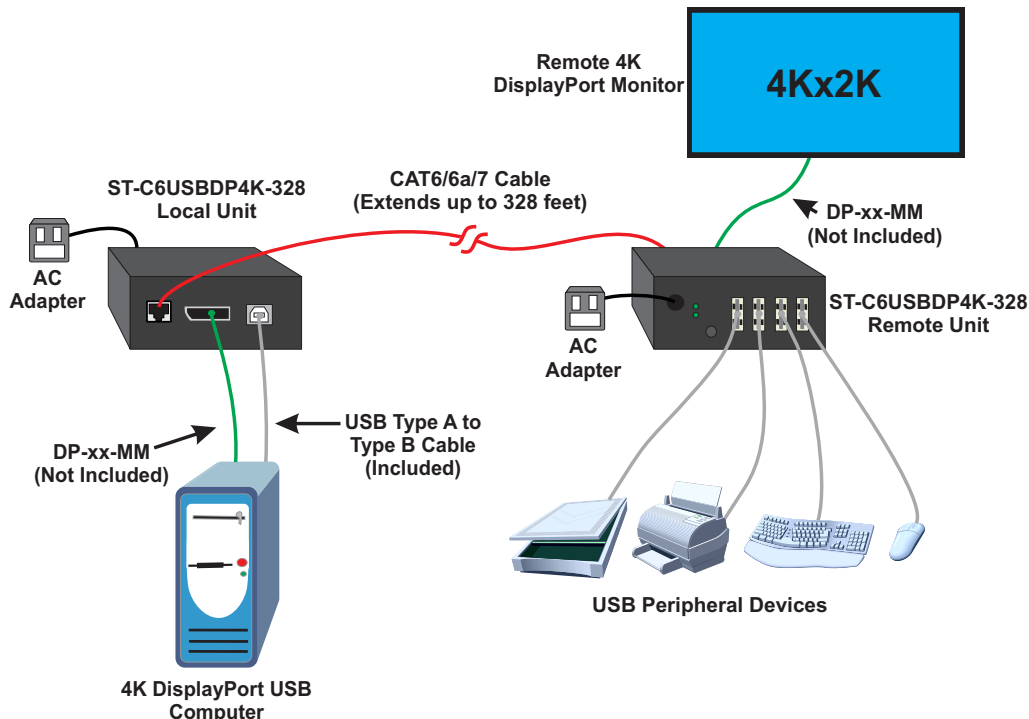


**ST-C6USBDP4K-328  
(Local & Remote Unit)**

- **Extend Ultra-HD 4Kx2K 30Hz to 328 feet & 1080p to 492 feet**
- **Transparent USB 2.0 Extension**
- **RS232**
- **Uses HDBaseT technology.**

The XTENDEX® 4K DisplayPort USB KVM HDBaseT Extender transmits uncompressed digital Ultra-HD 4Kx2K 30Hz 4:4:4 DisplayPort signal, transparent USB, and RS232 up to 328 feet over a single CATx cable using HDBaseT technology. Each extender consists of a local unit that connects to a computer, and a remote unit that connects to a UHD DisplayPort display and four USB 2.0 devices.

### Configuration and Cable Illustrations



# 4K 30Hz DisplayPort USB KVM Extender via CATx Cable

XTENDEX®

Extend Ultra-HD 4Kx2K 30Hz 4:4:4 DisplayPort display, audio, 4 USB devices, and RS232 up to 328 feet away from the source

## Specifications

### Local Unit

- Compatible with a USB computer or UHD video source with DisplayPort output.
- Multiplatform support: Windows 7/10/11, Linux, and MAC OS 10/11/12.
- One female DisplayPort connector.
- One female USB Type B connector.
- One female 3.5 mm port for RS232 connection.
- One female RJ45 port for sending/receiving UHD video, audio, USB, and RS232 signals.
- HDCP compliant.

### Remote Unit

- One female DisplayPort connector for display.
- Four female USB Type A connectors.
  - Transparent data extension.
  - Supports high-speed (480 Mbps), full-speed (12 Mbps), or low-speed (1.5 Mbps) USB devices – keyboard, mouse, game controller, USB flash drive, touch screen monitor, whiteboard, etc.
- One female 3.5 mm port for RS232 connection.
  - Support full-duplex RS232 up to 115200 baud.
- One female RJ45 port for sending/receiving UHD video, audio, USB, and RS232 signals.
- Supported video resolutions:
  - Ultra-HD 4Kx2K 4:4:4 resolutions (4096x2160 and 3840x2160) @30Hz
  - HDTV resolutions to 1080p @60Hz
  - Up to 1920x1200 (WUXGA)
- Supports embedded digital audio through DisplayPort compatible displays or audio receivers.
  - HDCP compliant.
- Dimensions
  - WxDxH (in): 4.31x4.31x1.18 (109x109x30 mm)

### Power

- Local unit:
  - Input: 100 to 240 VAC at 50 or 60 Hz via AC adapter (US AC adapters included).
    - ♦ Optional universal power plug adapters available (not included)
  - Output: 5VDC, 2A
- Remote unit:
  - Input: 100 to 240 VAC at 50 or 60 Hz via AC adapter (US AC adapters included).
    - ♦ Optional universal power plug adapters available (not included)
  - Output: 5VDC, 4A
  - The current passing through each USB port cannot exceed 0.5A

### Environmental

- Operating temperature: 14 to 113°F (-10 to 45°C).
- Storage temperature: -22 to 167°F (-30 to 75°C).
- Operating/storage relative humidity: up to 95% non-condensing RH.

### Regulatory Approvals

- CE, RoHS
- TAA compliant

### Warranty

- Two years

### Max Distance

- Extend 4Kx2K 30Hz up to 328 feet (100 meters) over CAT6/6a/7.
- Extend 1080p up to 492 feet (150 meters) over CAT6/6a/7.

### Cables

- Interface cables between the source/display and the transmitter/receiver are required for proper operation.
- Use DP-xx-MM to connect a DisplayPort source or display up to 15 feet (not included).
- Use DP4K21GB-FO-xxM-MM to connect a DisplayPort source or display up to 100 meters (not included).
- Use CAT6/6a/7 solid straight through cables for TIA/EIA 568B wiring terminated with standard RJ45 connectors (not included).
- One male USB Type A to male USB Type B interface cable included.
- One male 3.5mm to female DB9 RS232 cable included.
- One male 3.5mm to male DB9 RS232 cable included.