

E-M-DCS5-TAA(-MDP) Door Contact Switch-TAA Compliant

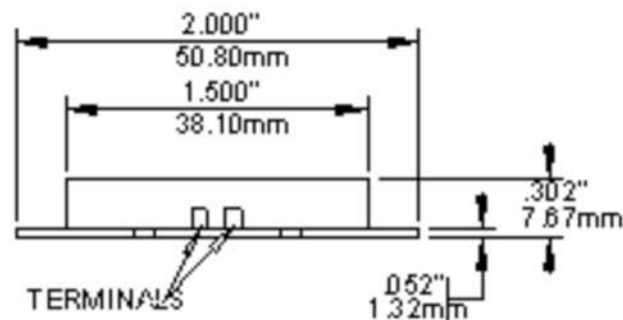
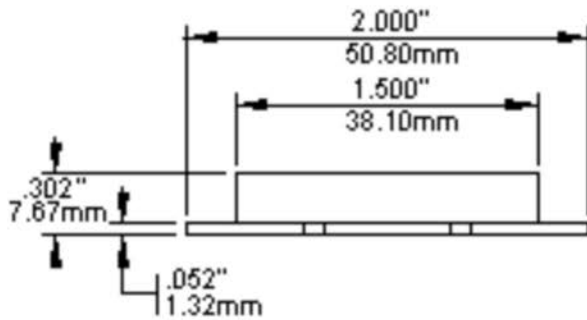
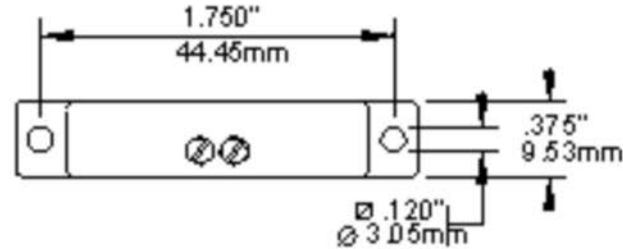
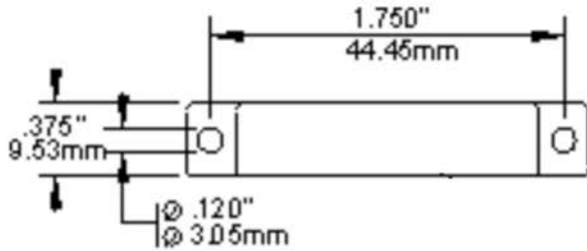


Features:

- UL and ULC approved
- Adhesive and screw mount
- Closed loop configuration (N.O. terminals)
- 1 inch actuating gap

General Specifications

Temperature Range	-67 to 158°F (-55 to 70°C)
Environmental	Hermetically sealed reed switch
Color	White
UL/ULC Listed	Yes
Life Cycles	10 million
Country of Origin	United States



Electrical Specifications

Contact' Configuration	Load Rating	Switching Voltage	Switching Current	Contact Resistance	Sense Range Nominal
N.O.	10W	200VDC	0.5A	.150 Ohms	1" (2.54cm)

Warning— Each electrical rating is an individual maximum and cannot be exceeded!

¹ Configuration with actuator away from the switch