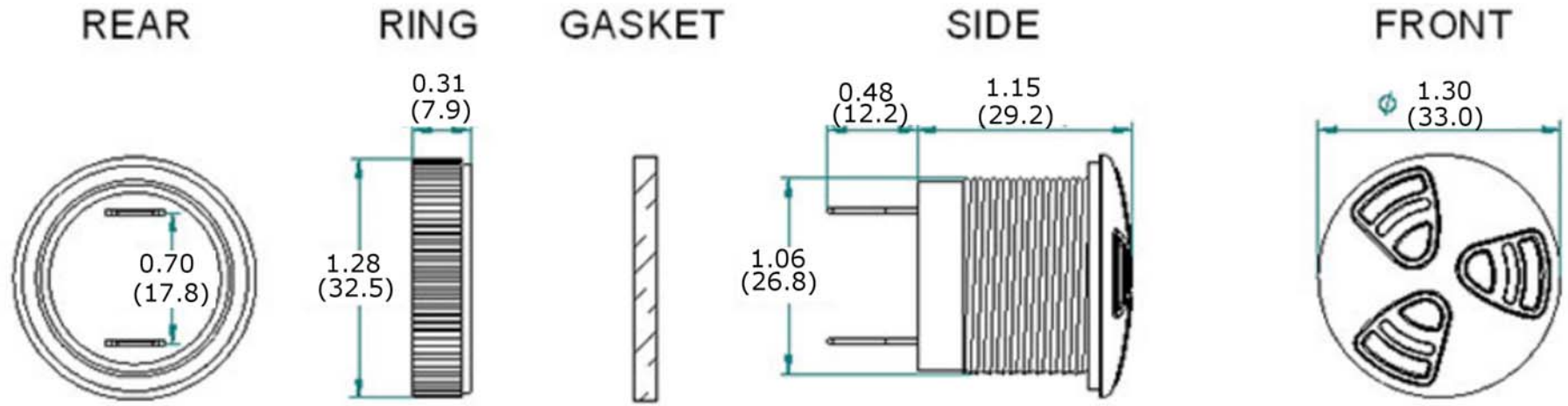
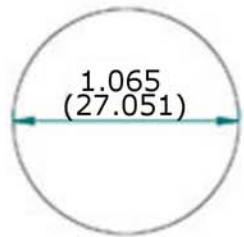


NTI P/N: E-BEEP1



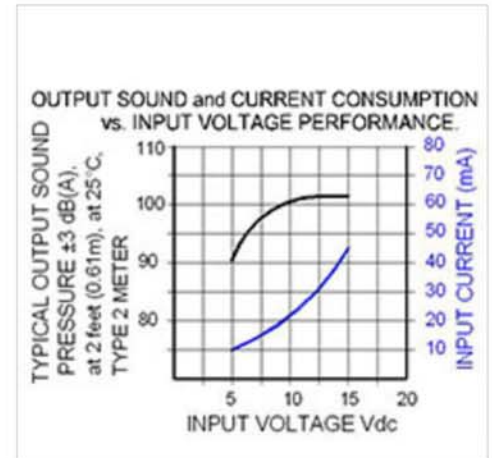
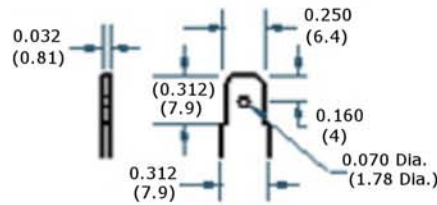
TOLERANCES ARE ±0.03in (±0.76mm) UNLESS OTHERWISE SPECIFIED

PANEL MOUNTING



FITS PANELS UP TO 0.50in (12.7mm) THICK

"Q" TERMINALS



UNITS: Inch (mm)