



**NETWORK
TECHNOLOGIES
INCORPORATED**

1275 Danner Dr Tel:330-562-7070
Aurora, OH 44202 Fax:330-562-1999
www.networktechinc.com

ST-C64K18GB-HDBT

HDMI 18Gbps Extender over CATx



User Manual

Thank you for purchasing this product

For optimum performance and safety, please read these instructions carefully before connecting, operating or adjusting this product. Please keep this manual for future reference.

Surge protection device recommended

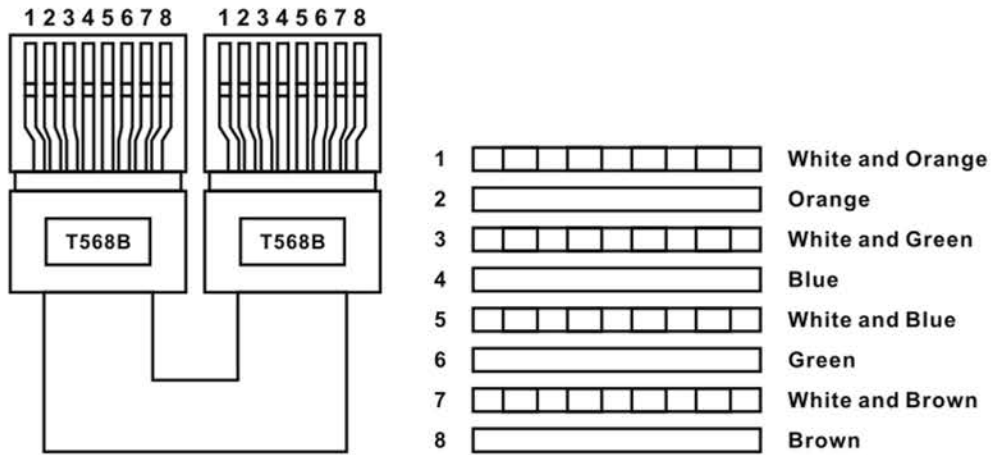
This product contains sensitive electrical components that may be damaged by electrical spikes, surges, electric shock, lightning strikes, etc. Use of surge protection systems is highly recommended in order to protect and extend the life of your equipment.

Table of Contents

1. Introduction	3
2. Features	3
3. Package Contents.....	4
4. Specifications	4
5. Operation Controls and Functions	6
6. Connection Diagram	11

Caution

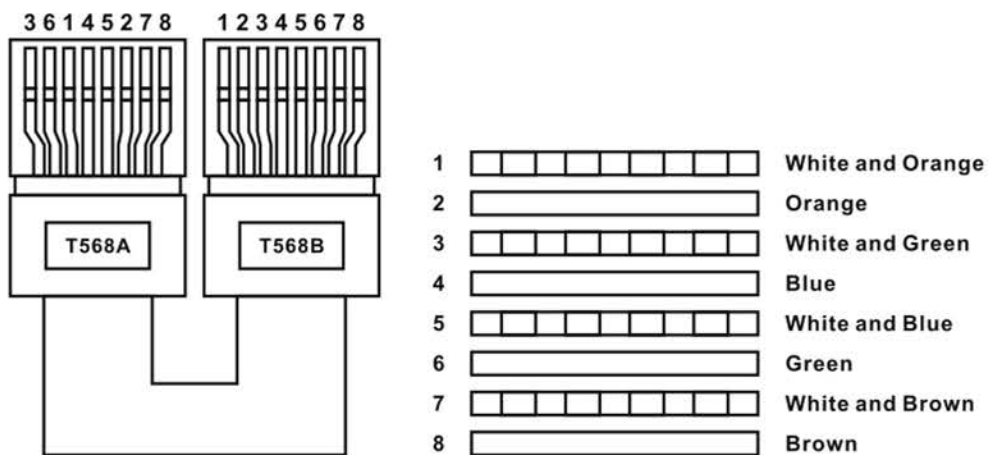
The extender using UTP termination, which follows the standard of direct interconnection method.



Direct interconnection method

Advanced

The extender will start protection mode automatically when using UTP termination, which follows the standard of cross interconnection method.



Cross interconnection method

1. Introduction

The 18Gbps HDMI Extender is a tool which can extend your HDMI signal over 328ft/100meters to a compatible display. It is designed to convert HDMI signal to standard HDBaseT signal which can be transmitted by LAN cable. It also supports Transfer Bidirectional Infrared control signal together with the HDMI signal, so you can control the Source in the Sink side which is 328ft away, and you can control the Sink in the Source side which is 328ft away by using the HDMI Extender.

2. Features

- ✧ HDMI 2.0b (18Gbps), HDCP 2.2 and DVI compliant
- ✧ Video resolutions up to 4K2K@50/60Hz (YUV444)
- ✧ 10bits HDR (High Dynamic Range) pass through
- ✧ Supports HDMI High Bit Rate(HBR) audio pass through
- ✧ Supports CEC bypass
- ✧ POC (Power Over Cable) function is supported. If either the TX or RX is powered by the 24V@1A power supply, the other does not need a power supply connected. POC Power consumption is less than 10W.

- ✖ See Description 1, page 9.
- ✧ Transfer Bidirectional Infrared control signal together with the HDMI signal.
 - ✖ See Description 2, page 9.
- ✧ Transfer Bidirectional RS232 control signal together with the HDMI signal.
 - ✖ See Description 3, page 10.
- ✧ Transfer Bidirectional Ethernet signal together with the HDMI signal/
 - ✖ See Description 4, page 10.

Transmission Distance		
Cable Type	4096x2160p@30/50/60Hz	1080p@30/50/60Hz
CAT5e UTP/STP	230 ft (70 m)	275 ft (84m)
CAT6/6a/7 UTP/STP	230 ft (70 m)	328 ft (100m)

3. Package Contents

- ✧ 1 x HDMI 18Gbps Transmitter
- ✧ 1 x HDMI 18Gbps Receiver
- ✧ 2 x Wideband IR Tx
- ✧ 2 x Wideband IR Rx
- ✧ 1 x 24V/1A Power Adaptor
- ✧ 1 x User Manual

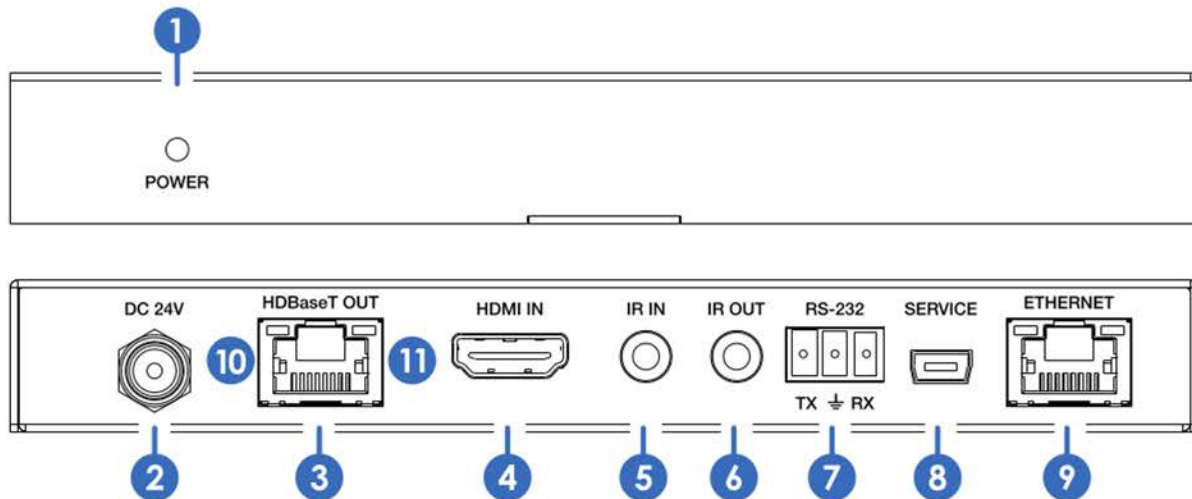
4. Specifications

Technical	
HDMI Compliance	HDMI 2.0b
HDCP Compliance	HDCP 2.2 and HDCP 1.4
Video Bandwidth	18 Gbps
Video Resolutions	up to 4K2K@50/60Hz(YUV4:4:4),4K2K@30Hz,1080P@120Hz, and 1080P 3D@60Hz
Color Space	RGB, YCbCr 4:4:4, YCbCr 4:2:2
Color Depth	10-bit, 12-bit
HDMI Audio Formats (Pass-through)	LPCM 2/5.1/7.1CH, Dolby Digital, DTS 5.1, Dolby Digital+, Dolby TrueHD, DTS-HD Master Audio, Dolby Atmos, DTS:X
ESD Protection	Human body model — ±8kV (air-gap discharge) & ±4kV (contact discharge)

Connections	
Inputs	<p>Transmitter : 1x HDMI Type A [19-pin female] 1x IR INPUT [3.5mm Stereo Mini-jack] 1x RS232 [Terminal block] 1x Service [Mini-USB jack] 1x Ethernet In/Out[RJ45]</p> <p>Receiver: 1x HDBaseT In [RJ45] 1x Ethernet In/Out[RJ45] 1x IR INPUT [3.5mm Stereo Mini-jack] 1x RS232 [Terminal block] 1x Service [Mini-USB jack]</p>
Outputs	<p>Transmitter : 1x HDBaseT Out [RJ45] 1x IR OUTPUT [3.5mm Stereo Mini-jack]</p> <p>Receiver : 1x HDMI Type A [19-pin female] 1x IR INPUT [3.5mm Stereo Mini-jack]</p>
Mechanical	
Housing	Metal Enclosure
Color	Black
Dimensions	157mm [W] x 90mm [D] x 20mm [H]
Weight	333g
Power Supply	Input: AC100 - 240V 50/60Hz Output: DC 24V/1A (US/EU standards, CE/FCC/UL certified)
Power Consumption	24W (Max)
Operation Temperature	32 - 104°F / 0 - 40°C
Storage temperature	-4 - 140°F / -20 - 60°C
Relative Humidity	20 - 90% RH (no condensation)

5. Operation Controls and Functions

5.1 Transmitter



- 1 **Power LED:** System power indicator.
- 2 **DC 24V:** Connect 24V/1A adaptor to AC wall outlet for power supply.
- 3 **HD BaseT Out:** Standard HD BaseT signal output port. Connect HD BaseT receiver with a UTP cable following the standard of direct interconnection method
- 4 **HDMI In:** Connect this to HDMI source devices such as Blu-ray or PS4 player (Use up to 50 foot cable (HD-50-MM))
- 5 **IR In:** Channel 2 IR Receiver. Connect with Wideband IR Rx.
- 6 **IR Out:** Channel 1 IR Transmitter. Connect with Wideband IR Tx.
- 7 **RS-232:** Terminal block for Serial port control signal from receiver or to receiver.
- 8 **Service:** Manufacturer use only.

9 Ethernet: This slot provides Internet signal from transmitter or to transmitter.

10 Connection Signal Indicator Lamp

※Illuminate: The Transmitter and Receiver are in good connection status

※Flashing: The Transmitter and Receiver are in poor connections status.

※Dark: The Transmitter and Receiver are not connected.

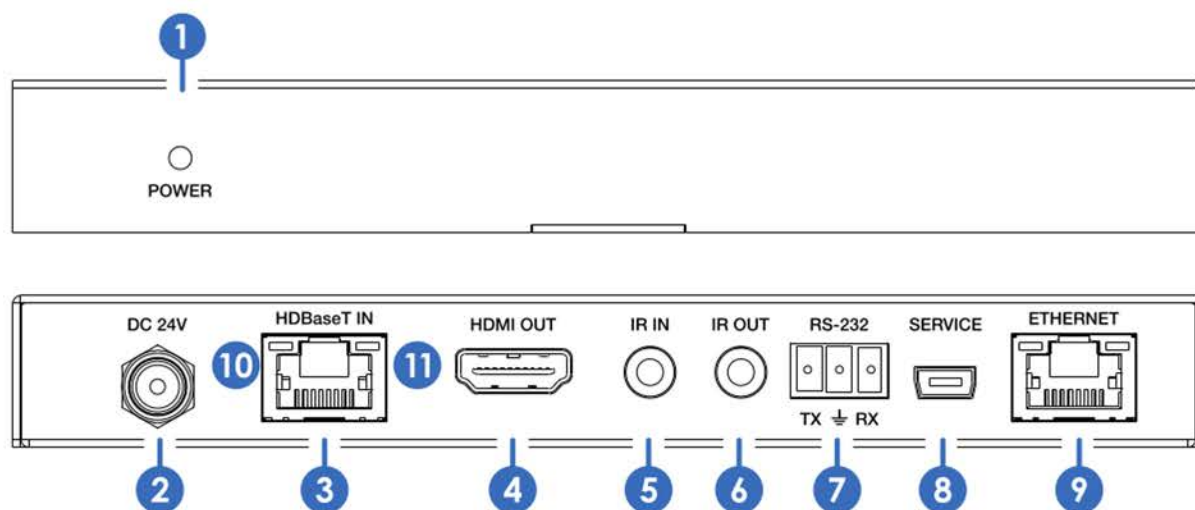
11 Data Signal Indicator Lamp

※Illuminate: The HDMI signal with HDCP.

※Flashing: The HDMI signal without HDCP.

※Dark: No HDMI signal.

5.2 Receiver



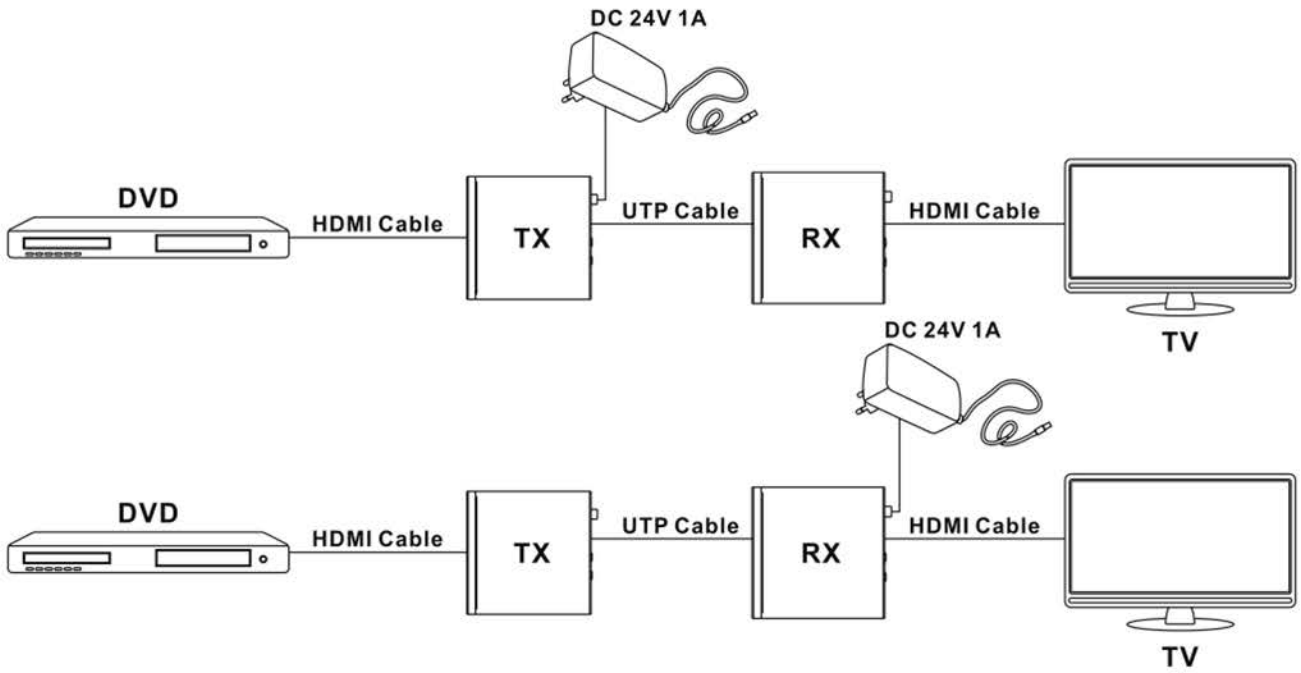
1 Power LED: System power indicator.

2 DC 24V: Connect 24V/1A adaptor to AC wall outlet for power supply.

- 3 **HD BaseT In:** Standard HD BaseT signal input port. Connect HD BaseT Transmitter with a UTP cable following the standard of direct interconnection method
- 4 **HDMI Out:** HDMI output port. This slot is where you connect the HDTV or monitor with HDMI cable. (Use up to 50ft (HD-50-MM))
- 5 **IR In:** Channel 1 IR Receiver. Connect with Wideband IR Rx
- 6 **IR Out:** Channel 2 IR Transmitter. Connect with Wideband IR Tx.
- 7 **RS-232:** Terminal block for Serial port control signal from receiver or to receiver.
- 8 **Service:** Manufacturer use only.
- 9 **Ethernet:** This slot provides Internet signal from transmitter or to transmitter.
- 10 **Connection Signal Indicator Lamp**
 - ※Illuminate: The Transmitter and Receiver are in good connections status.
 - ※Flashing: The Transmitter and Receiver are in poor connections status.
 - ※Dark: The Transmitter and Receiver are not connected.
- 11 **Data Signal Indicator Lamp**
 - ※Illuminate: The HDMI signal with HDCP.
 - ※Flashing: The HDMI signal without HDCP.
 - ※Dark: No HDMI signal.

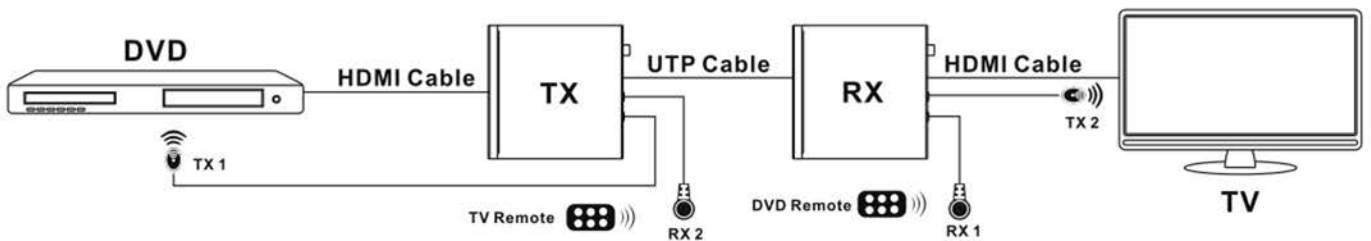
※ Description 1

POC (Power Over Cable) Application Example



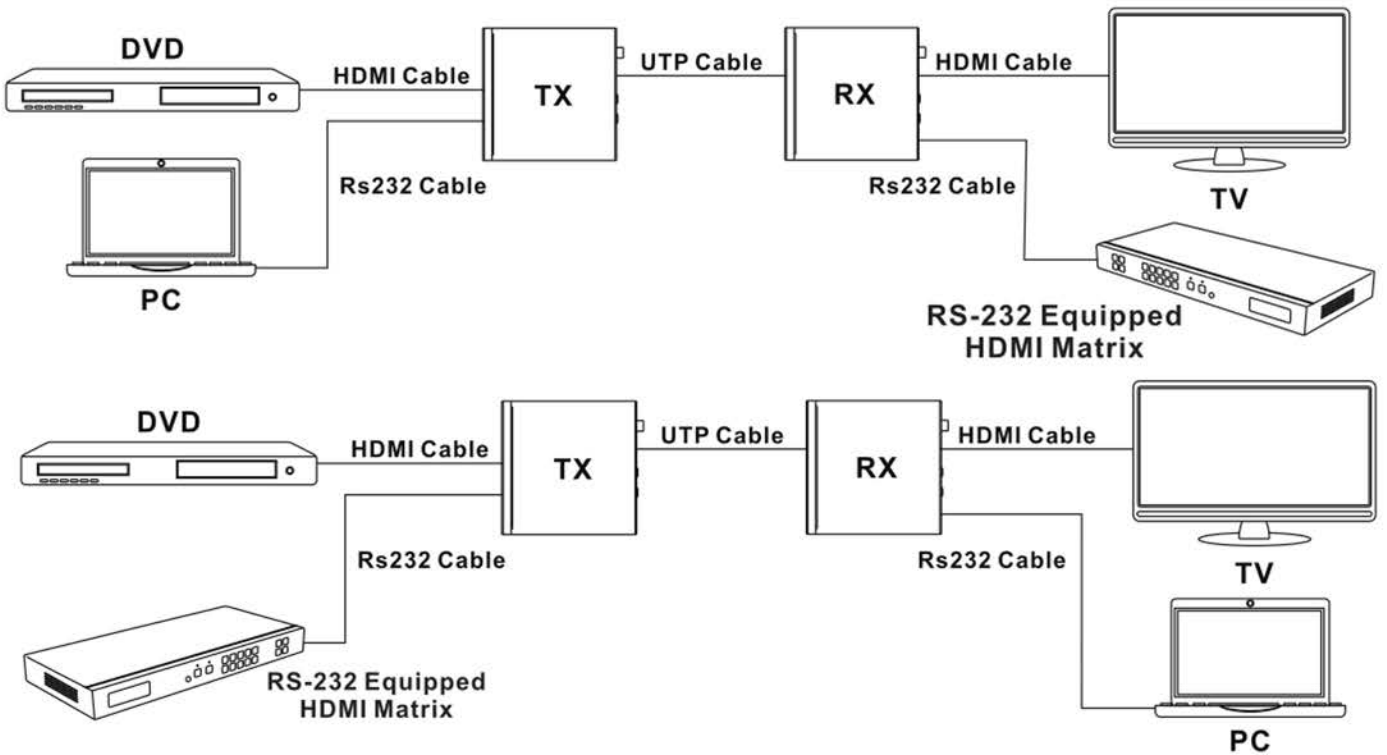
※ Description 2

Bidirectional Infrared control Application Example



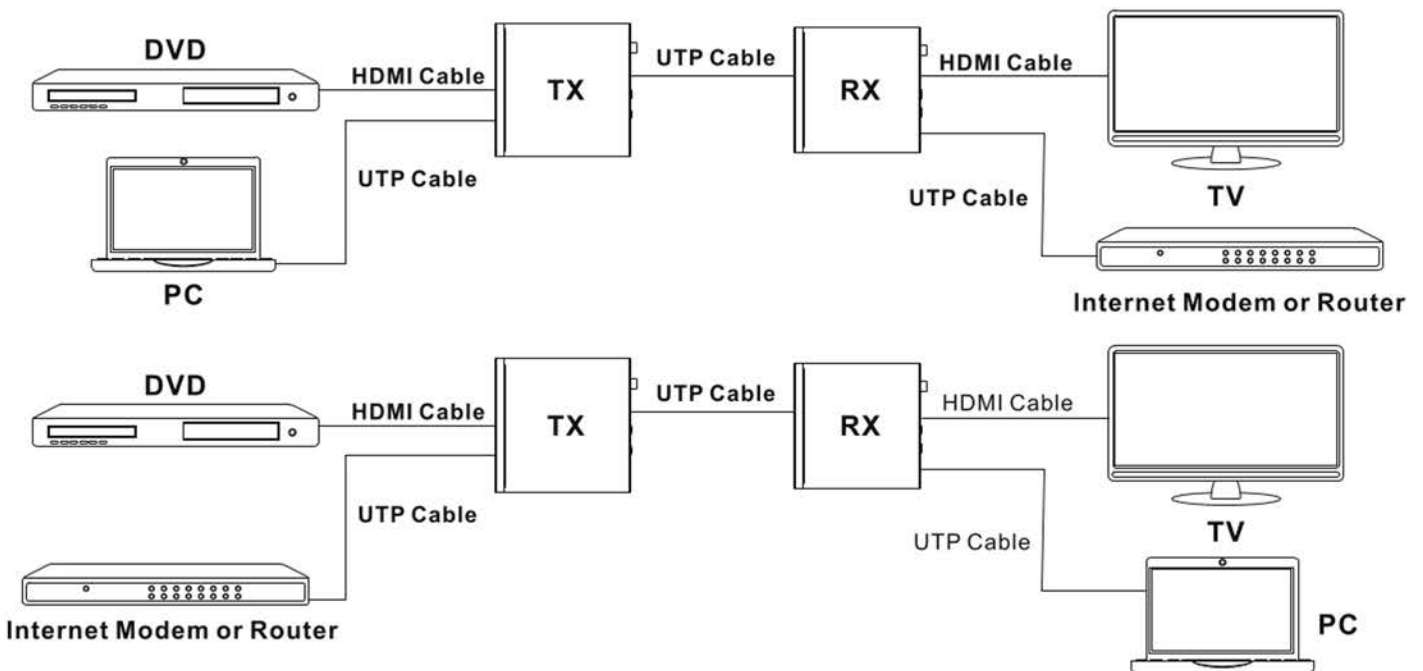
※ Description 3

Bidirectional RS232 control Application Example



※ Description 4

Bidirectional Ethernet signal Application Example



6. Connection Diagram

