



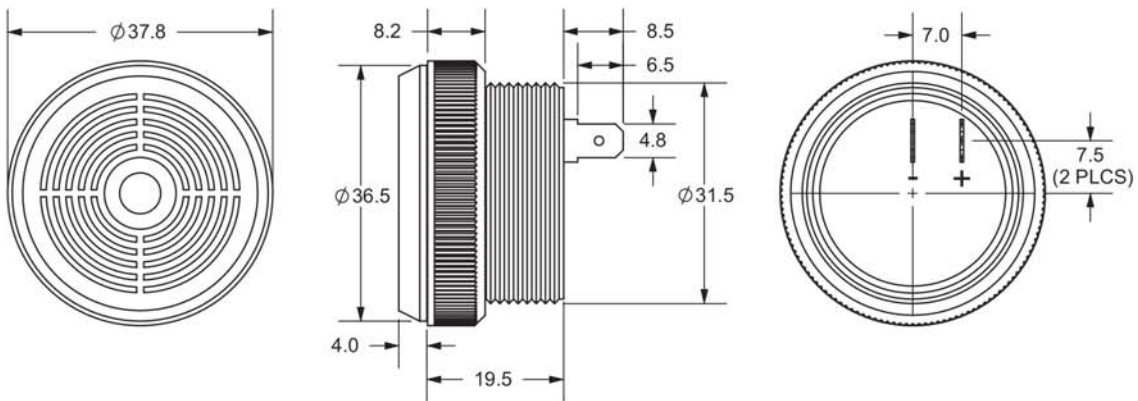
## E-BEEP4-1

### SPECIFICATONS

operating frequency	3.6 ± 0.5 KHz
operating voltage range	4 ~ 28 V DC
current consumption	8mA max. at 12 V DC
sound pressure level	73.8dB at 2 Feet (63.5dB at 2M)
rated voltage	12 V DC
tone	Continous @ 12Vdc
operating temperature	-30 ~ +85° C
storage temperature	-40 ~ +95° C
dimensions	Ø37.8 x H23.5 mm
weight	18.5 g max.
material	ABS UL-94 1/16" HB (gray)
terminal	pin type (Au plating)
RoHS	yes
termination	provided with 12" of 22 AWG 2-wire plenum cable

### DIMENSIONS

tolerance: ±0.5  
 units: mm



### WIRING

