

HDMI Over Gigabit IP Extender with IR and RS232

XTENDEX®

Extend HD 1080p, multi-channel audio, IR, RS232 up to 328 feet using Gigabit Ethernet. Use with cascaded network switches to extend up to 1,000 feet.

- Supports HDTV resolutions to 1080p.
- Broadcast real-time HDMI video and audio signals to multiple display locations with a managed or unmanaged (also known as non-managed) network switch.
- Transmits an HDMI signal over one CAT5e/6 cable.
- Supports a local HDMI display.
- Plug-and-Play installation allows receivers to find the transmitters automatically on the same subnet. (Network configuration may be required for managed network switch.)
- Supports 10/100/1000 Ethernet connection.
- Built-in default EDID table.
- HDCP 2.0 compliant.
- Support for multiple transmitters requires a managed network switch with VLAN/IGMP support. Standard LAN switches can only support one transmitter.
 - The managed switch must support port based IEEE 802.1Q VLAN, IGMP, and permit duplicate IP addresses across the VLAN domains.
 - Each VLAN acts as a separate HDMI Over IP Channel on the network.
 - Number of local and remote units that can be used is dependent on the backplane bandwidth of the switch.
 - ◆ Supports a maximum of 64 transmitters.
 - Cascade managed network switches up to 3 levels, allowing the farthest display to be located up to 1,000 feet away from the source device. Each receiver can be located up to 328 feet away.
 - Configure the DIP switch on a transmitter and use the included IR remote control to select the source to be displayed from the receiver.
 - ◆ LED Display on remote unit identifies which source device channel the receiver is set to display.
- For a point-to-many connection, a standalone network with an unmanaged network switch, hub, or router can be used instead of a managed network switch.
 - It is not recommended to use any other network devices on this standalone network as it may cause degradation in performance.
- Local and remote units must be in the same LAN. The units do not support WAN connections.
- Supports 2-way RS232 commands at baud rate 2400 (control software on a PC, or other automated control system hardware such as Control4 or Crestron) to control any devices attached to the matrix using RS232.
- Full Infrared Remote (IR) control of HDMI source from remote HDTV using existing source remote control.
- Easily expandable. Add remote units as you add monitors.
- Inexpensive CAT5e/6 cable replaces bulky video cables.
- Ideal solution for digital signage applications.



**XTENDEX® ST-IPHD-IR-LC
(Local & Remote Unit)**



The XTENDEX® HDMI Over Gigabit IP Extender transmits digital HDMI signal, IR, and RS232 to one or more receivers up to 328 feet away over a 1000Base-T Gigabit Network connected with CAT5e/6 cable.

Each HDMI Over Gigabit IP Extender consists of a local unit that connects to an HDMI source, and a remote unit that connects to an HDMI display. The local and remote units can be connected together for a Point-to-Point connection via CATx or a Point-to-Many connection via a network switch. Support for multiple transmitters requires a managed network switch.

- **Extend 1080p video, IR & RS232 up to 328 ft via one CATx cable**
- **Use with cascaded network switches to extend to 1,000 feet**
- **Supports Point-to-Point, Point-to-Many & Many-to-Many connections**
- **Supports a local HDTV display.**

Specifications

Local Unit

- One female HDMI connector for source connection.
- One female HDMI connector for local HDTV display.
- One female 3.5mm jack for bidirectional RS232.
- One female 1000Mbps RJ45 port for sending high definition video/audio signals.
- Six DIP Switches for linking the transmitters to the receivers in a Point-to-Many or Many-to-Many configuration.
- Supports HDTV resolutions to 1080p.
- Supports embedded digital audio through HDMI compatible TVs or audio receivers.
- Video Bandwidth: 150 Mbps via LAN.

Remote Unit

- One female HDMI connector for HDTV or computer display.
- One female 3.5mm jack for bidirectional RS232.
- One female 3.5mm jack for IR receiver (included).
- IR frequency range: 30 kHz to 50 kHz.
- One female 1000Mbps RJ45 port for receiving high definition video/audio signals.
- Supports HDTV resolutions to 1080p.
- Supports embedded digital audio through HDMI compatible TVs or audio receivers.

HDMI Over Gigabit IP Extender with IR and RS232

XTENDEX®

Extend HD 1080p, multi-channel audio, IR, RS232 up to 328 feet using Gigabit Ethernet. Use with cascaded network switches to extend up to 1,000 feet.

Specifications (continued)

RS232

- Supports TXD and RXD.
- Baud rate: 2400

Power

- Local and remote unit:
 - Input: 100 to 240 VAC at 50 or 60 Hz via AC adapter. (US AC adapter included.)
 - Output: 5VDC, 2.5A

Dimensions

- Local unit WxDxH (in): 6.10x3.11x0.98 (155x79x25 mm).
- Remote unit WxDxH (in): 6.10x3.99x0.98 (155x101.5x25 mm).

Environmental

- Operating temperature: 32 to 104°F (0 to 40°C).
- Storage temperature: -4 to 140°F (-20 to 60°C).
- Operating/storage relative humidity: 10 to 85% non-condensing RH.

Regulatory Approvals

- TAA compliant

Max Distance

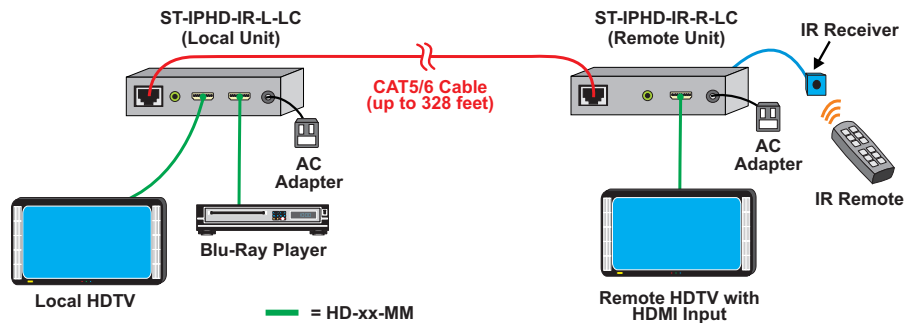
- 328 feet in a Point-to-Point connection.
- 656 feet in a Point-to-Point, Point-to-Many or Many to-Many connection via a network switch.
 - Use with cascaded network switches to extend up to 1,000 feet.
 - The max length between the switch and the local/remote unit is 328 feet.

Cables

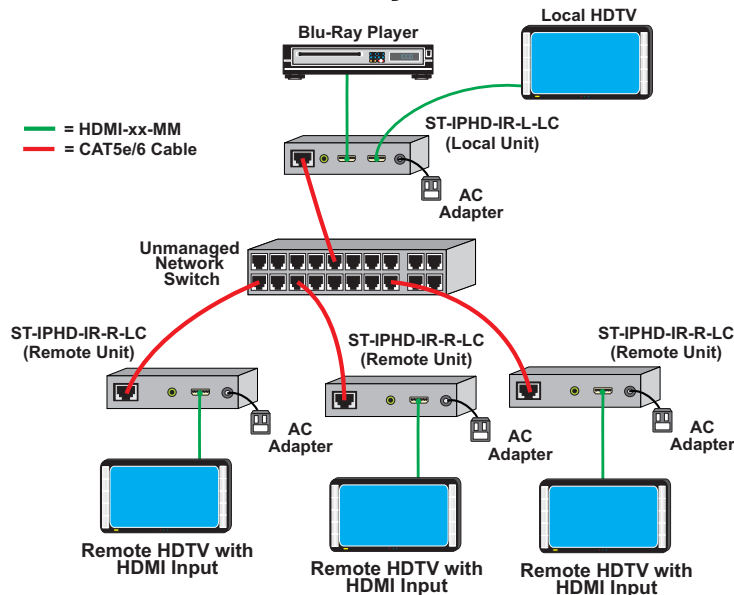
- Use HD-xx-MM cable to connect an HDMI source or display (not included).
- Use DVI-HD-xx-MM cable to connect a DVI source or display (not included).
- Use CAT5e/6 straight through cable with TIA/EIA-568B wiring terminated with standard RJ45 connectors (not included)
- 3.5mm to DB9 RS232 cable included with transmitter and receiver.
- IR receiver and remote control included with receiver.

Configuration and Cable Illustrations

Point-to-Point Connection



Point-to-Many Connections



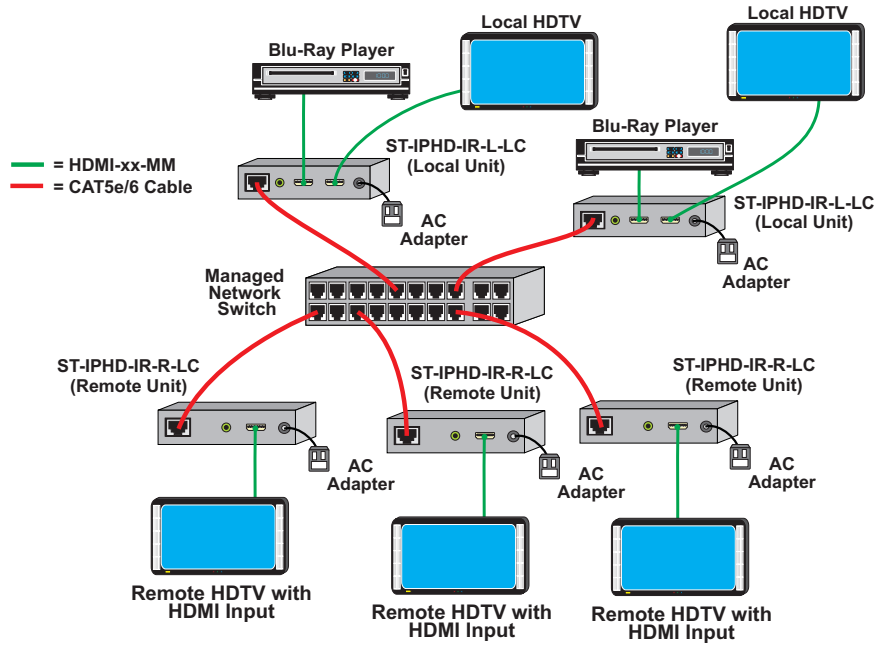
HDMI Over Gigabit IP Extender with IR and RS232

XTENDEX®

Extend HD 1080p, multi-channel audio, IR, RS232 up to 328 feet using Gigabit Ethernet. Use with cascaded network switches to extend up to 1,000 feet.

Configuration and Cable Illustrations

Many-to-Many Connections



HDMI Over Gigabit IP Extender with IR and RS232

NTI Part #	Local or Remote Unit
ST-IPHD-IR-L-LC	Local
ST-IPHD-IR-R-LC	Remote